

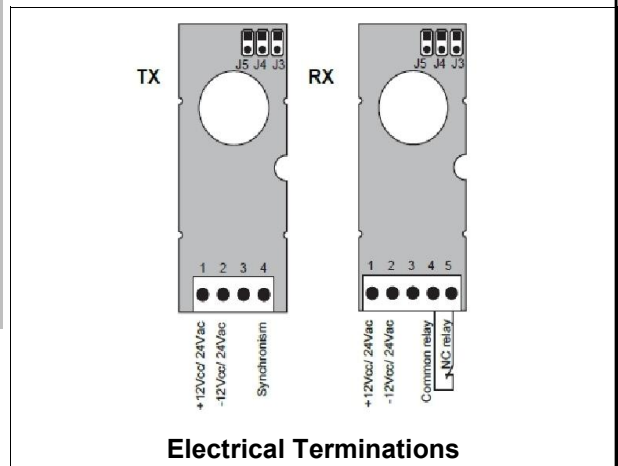
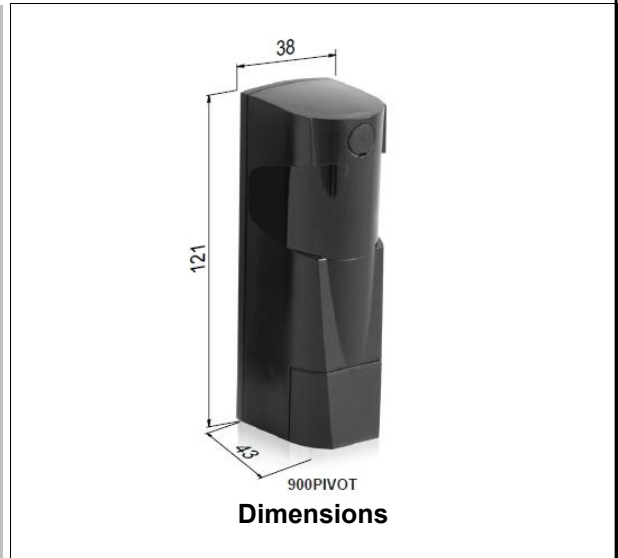


900PIVOT Infrared Safety Photocells

Surface mount, horizontally adjustable beams up to 210°.

Synchronisation via Jumpers to allow the installation of up to 4 sets of Photocells. 12/24 V ac/dc, 20 metre range.

Performance	Receiver	Transmitter
Sensing Distance	20 metre range may be reduced up to 60% in fog, rain, snow etc.	
Emission	Infrared	
Nominal Voltage	12/24V ac/dc	
Output	1 Relay: N.C. 500mA / 24V	N/A
Alignment LED	Yes	—
Absorbed Power	10mA @ 12Vdc 7mA @ 12Vac 11mA @ 24Vdc 6mA @ 24Vac	40mA @ 12Vdc 11mA @ 12Vac 60mA @ 24Vdc 10mA @ 24Vac
Protection Degree	IP 54	
Mounting	Surface	
Beam Alignment	Adjustable up to 210° Horizontally	
Dimensions	W 38mm x H 121mm x D 43mm	



Synchronising up to 4 sets of 900PIVOT Photocells

For systems with two or more pairs of Photocells, if an ac power supply is available, enable the synchronism.

Synchronisation will require a 3rd Cable between all the associated Transmitters.

If you are unable to install a 3rd Cable between all the Transmitters, avoid installing the two Receivers on the same side; it is best to alternate the Transmitter with the Receiver.

You will also need to set the Synchronisation Jumpers J3, J4, & J5 on both the Transmitters and Receivers.

See instructions supplied with the 900PIVOT Photocells

